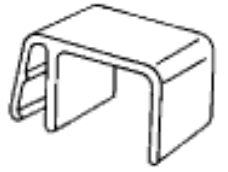




PATIO FURNITURE  
VINYL STRAP  
REPLACEMENT

**E-CLIP  
PROCESS**



5/8" ALUMINUM E-CLIP #30-800



Figure 1

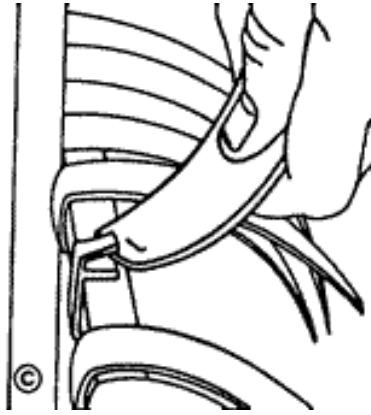


Figure 2

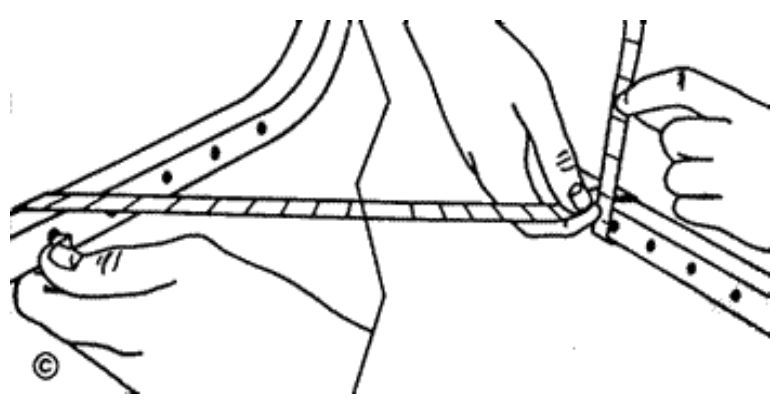


Figure 3



Figure 4



Figure 5



Figure 6

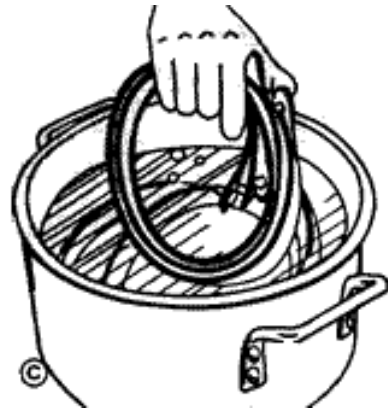


Figure 7

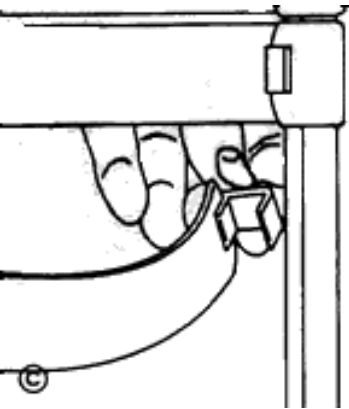


Figure 8

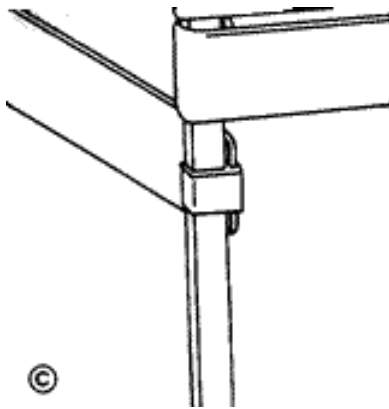


Figure 9

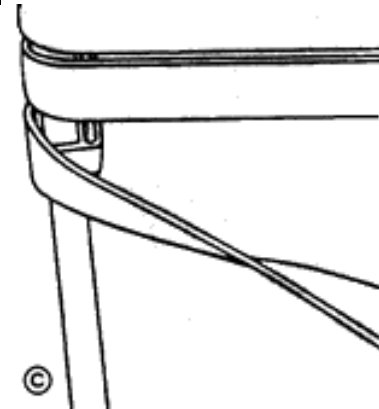


Figure 10

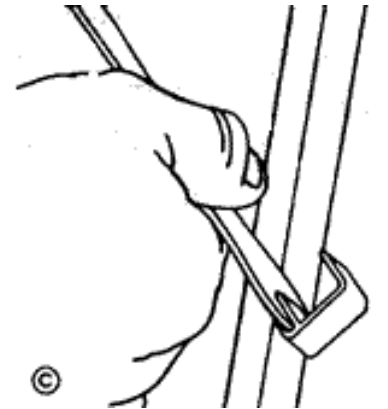


Figure 11

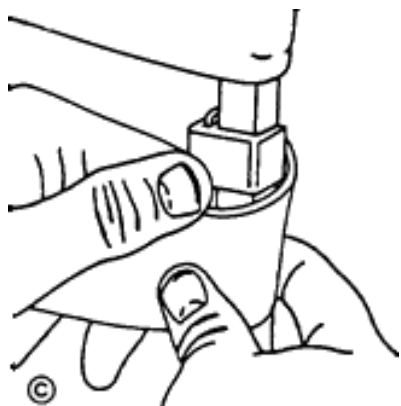


Figure 12

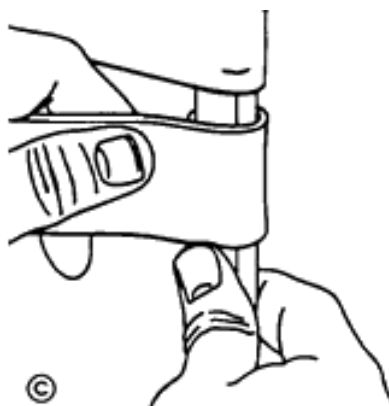


Figure 13

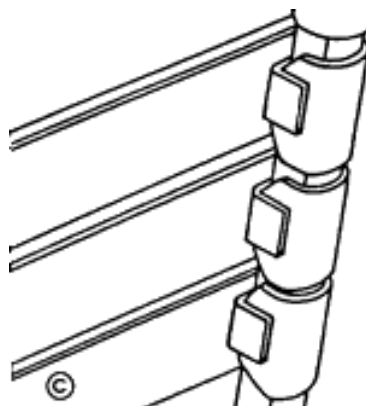


Figure 14

## PATIO FURNITURE VINYL STRAP REPLACEMENT

### **E-CLIP PROCESS 5/8" SQUARE FRAME**

**FIG. 1** - Using a pair of garden shears cut off all old straps and fasteners. Clean the piece well. If the furniture is in need of structural repair or painting this is the time to do it.

**FIG. 2** - If possible try to save the old E-Clips as they can be reused. This is accomplished by relaxing the jaws holding the end of the strap onto the clip. An easy way to do this is to slide the E-Clip onto the frame as shown in Fig. 2, then slowly lift up on the exposed clip while clip is still attached to the frame. Lift just enough to flex the aluminum allowing the strap to be released from the clip. Do not bend clip too far as the metal will fatigue and break.

#### **IF YOU ARE USING PRE-CUT STRAPS SKIP DOWN TO FIG. 6**

**FIG. 3** - Using a cloth measuring tape, find the exact measurement from inside top of frame to inside top of frame making sure to go around the outside of frame.

**FIG. 4** - Subtract approximately 3" from the exact measurement obtained in Fig. 3. Cut a couple of straps off your roll of vinyl. (Do not cut all the straps at once as you may want to adjust the strap length after seeing how the first couple of straps fit around the frame).

**For example:** Exact measurement inside top of frame to inside top of frame = 26", minus 3", equals 23". Cut straps to 23".

**FIG. 5** - Using the garden shears trim off the corners on each end of the vinyl straps. Once you get the hang of it, you can stack several pieces and trim them three or four at a time.

**FIG. 6** - Insert strap end fully into jaws of E-clip. Using a pair of vice-grips, apply heavy clamp pressure to secure strap in jaws of E-clip. A good method is to clamp halfway onto clip from one side, then repeat on the other side. Two bites seem to secure strap better than one single effort.

The vinyl straps must be heated and stretched over the furniture frame. If continuous strapping is anticipated a pair of golf gloves will help reduce finger burn caused by handling the heated straps. In addition you may want to wrap some adhesive tape around the top of your thumb and index finger for a bit more insulation before you put on the gloves.

**FIG. 7** - Using a hot plate or other heat source boil a large pot of water. Once the water has come to a boil insert several straps with fasteners inserted. Reduce heat so water remains hot but not boiling. Allow straps to stay in water at least 2 minutes. Leaving them in longer will not hurt

them. Remove one strap and dry with towel.

**FIG. 8** - (Back view) Slide E-Clip with strap attached onto frame from front of piece.

**FIG. 9** - (Front view) Clip attached to frame.

**FIG. 10** - (Front view) Wrap strap tightly around itself covering the clip head as .you bring strap around the outside of the frame.

**FIG. 11** - (Front view) Stretch strap firmly across frame at an angle about two or three inches below the straps proper placement on the frame. Stretch until you have pulled about four to five inches past the frame.

**FIG. 12** - (Front view) Using heavy thumb pressure of one hand hold strap in position and begin wrapping strap around frame with your other hand. Slide clip onto frame.

**FIG. 13** - Pull strap back and in an upwardly motion to bring top wrap over bottom wrap.

**FIG. 14** - Back view of finished product.

PATIO PRODUCTS, INC. ©1992